

LED UFO Highbay CCT & Power Select

SXIM-UFO-01-200PS-CCT



Power Selectable: 3-IN-ONE, 110W, 150W, 200W

3 CCT Selectable: 3000K, 4000K, 6000K

3 beam angles Selectable : 60°, 90°, 110° with zoomable optic design by simple rotation, Tool free Installation and Maintenance

The ripple-like lens cover diffuses the dazzling light generated by individual LEDs.

FEATURES

- Built in high luminous efficiency LED Chip and Driver.
- Fast connection
- IP65
- Adjustable Beam Angle

APPLICATION

- Factory Workshop
- Warehouse
- Parking Lot
- Conference Room
- Storage Room
- Sports Field



CE IP65



Multi Beam Angle
Switchable



Multi Wattage
Switchable



Multi Color
Temperature
(CCT)

OPTICAL DATA

Color Temperature	3000K , 4000K, 6000K
Luminous Flux	19500, 26400, 34600 Lm
Beam Angle	60°, 90°, 110° Adjustable
Type of Distribution	Direct Symmetrical
Optical Material	Diffuser PC
Life Span	50 000 Hrs

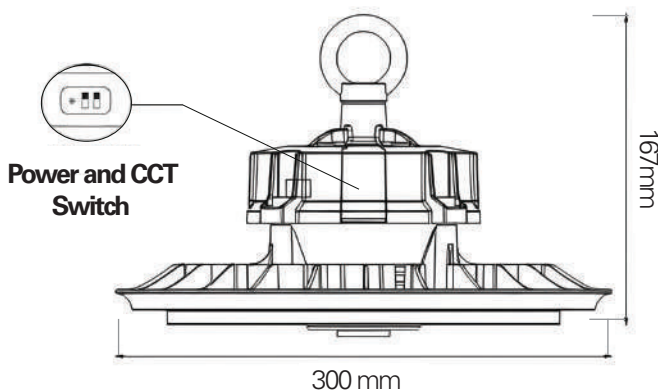
PHYSICAL DATA

Finish	Black
Protection Level - IP	IP 65
Dimensions	300 X 167 mm
Type of Installation	Pendant , Ceiling, Wall
Body Frame	Aluminium
Weight	2.0 kg
Operation Temperature	-30°C to +45°C

ELECTRICAL DATA

Input Power	110W, 150W, 200W
Power Switchable	YES
Operating Voltage	100-277V
Frequency	50-60 Hz
Power Factor	>0.9
CRI	80
Dimmable	NO

DIMENSIONS



ADDITIONAL INFORMATION

New heat dissipation system
to ensure long lifetime

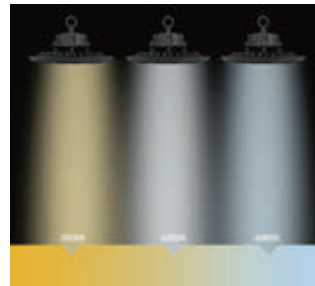


THE MEASURE OF A PRO™

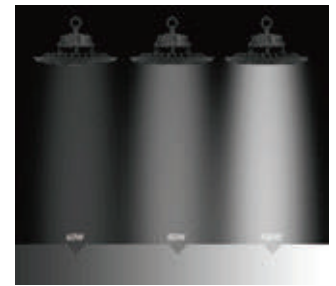
STANLEY®

LED UFO HIGHBAY CCT & POWER SELECT

SXIM-UFO-01-200PS-CCT

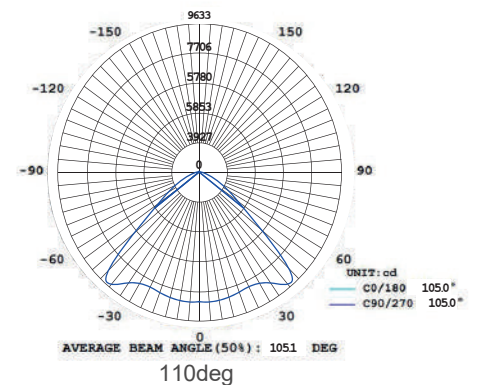
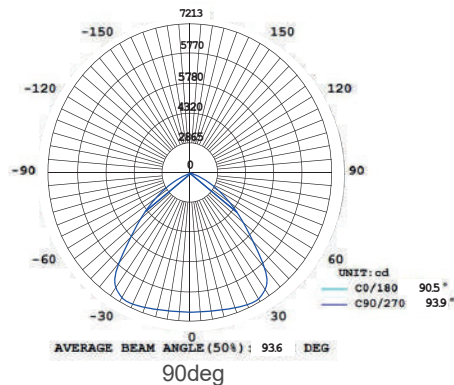
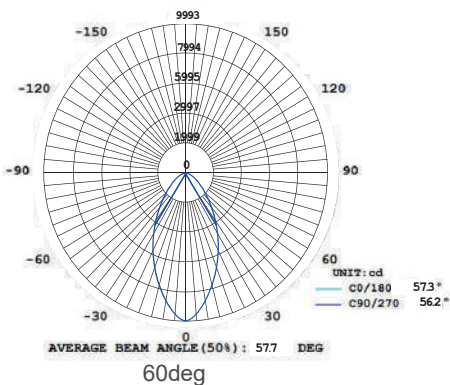


3CCT Selectable
3000K, 4000K, 6000K



3 Power-in-1
110W/150W/200W
selectable

Rotate the lens to change
the beam Angle



THE MEASURE OF A PRO™