

STANLEY

LED FLOOD LIGHT

SXIMFL01-30WCCT



LED outdoor floodlight luminaire, slim, modern and moisture-resistant design, aluminum chassis, uniform light projection, reduces energy consumption and maintenance costs, installation surface-mounted with metal support. Includes a breather valve that dissipates moisture.

FEATURES

- Energy efficiency
- Long Lifespan
- No UV emissions
- High uniform lighting
- Anti Siphon Cable

APPLICATION

- Parks & Squares
- Facades
- Parking Lot
- Airport
- External Perimeter
- High Altitudes



IP65 LED



**Indoor
Outdoor**



**Multi Color
Temperature
(CCT)**



**Easy
Installation**

OPTICAL DATA

Color Temperature (CCT)	3000K, 4000K, 6000K
CCT Switchable	YES
Luminous Flux	3210 Lm
Type of Distribution	Direct Symmetrical
Beam Angle	120°

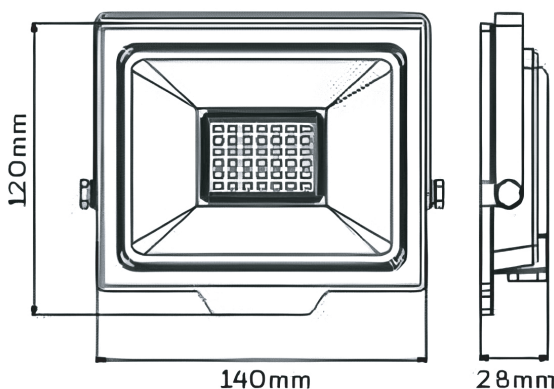
PHYSICAL DATA

Finish	Black
Protection Level - IP	IP65
Dimensions (LxWxH)	140x28x120mm
Type of Installation	Wall or Ceiling Mount
Body Frame	Aluminium
Optical Material	Glass
Operation Temperature	-20°C to +40°C

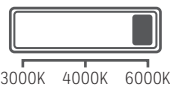
ELECTRICAL DATA

Input Power	30W
Operating Voltage	100-277 V
Frequency	50-60 Hz
Beam Spread	120°
CRI	80
Dimmable	NO

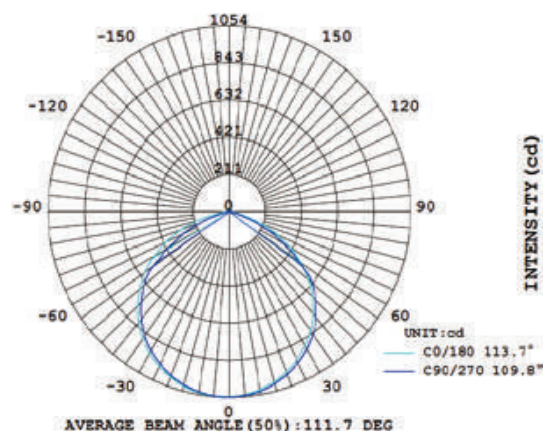
DIMENSIONS



(CCT) Color Temperature Switch



LUMINOUS INTENSITY DISTRIBUTION



THE MEASURE OF A PRO™