

# STANLEY

## LED FLOOD LIGHT

### SXIMFL03200PSCT



LED luminaire for outdoor floodlights, slim, modern and resistant design, aluminum chassis, uniform light projection, reduces energy consumption and maintenance costs, surface mounting with metal bracket. The luminaire includes a breather valve that dissipates moisture.

#### FEATURES

- Powerful and ideal for working at heights
- IP 66
- No UV emissions
- High uniform lighting

#### APPLICATION

- Residential
- Sidewalks
- Squares
- Airport
- External Perimeter
- High Altitudes



Multi Wattage Switchable



Multi Color Temperature (CCT)



Indoor Outdoor



Easy Installation

#### SPECIFICATIONS

Model	Power Selectable	CCT	Luminous Flux	Dimensions (LxWxH)	Use
SXIMFL03200PSCT	150W / 200W	3000K, 4000K, 6000K	19125 Lm / 25500Lm	336x266x39mm	Indoor / Outdoor

#### OPTICAL DATA

CCT Switchable	YES
Type of Distribution	Direct Symmetrical
Beam Angle	110°
Efficiency	127.5Lm / W
Connector	Plastic Injected Connector
Life Span	50 000 Hrs

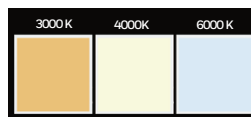
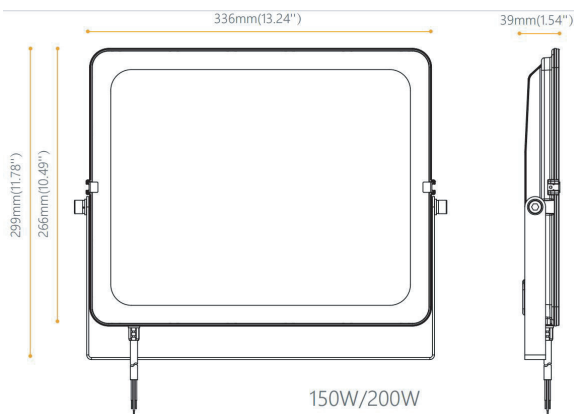
#### PHYSICAL DATA

Finish	Black
Protection Level - IP	IP66
Type of Installation	Wall or Ceiling Mount
Body Frame	Aluminium
Optical Material	Tempered Glass
Operation Temperature	-20°C to +40°C

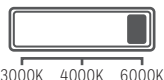
#### ELECTRICAL DATA

Power Selectable	YES
Operating Voltage	120-277 V
Frequency	50-60 Hz
Power Rating	>0.90
CRI	80
Dimmable	NO

#### DIMENSIONS



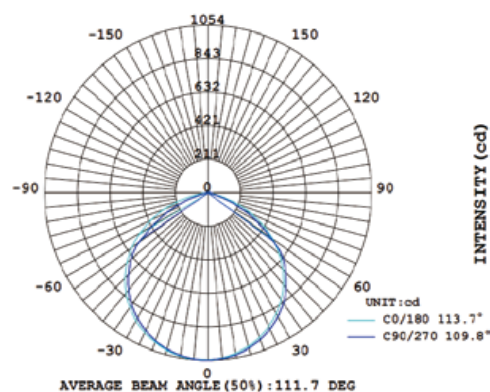
(CCT) Color Temperature Switch



Power Selectable Switch

150W 200W

#### LUMINOUS INTENSITY DISTRIBUTION



**THE MEASURE OF A PRO™**