

STANLEY

LED WORKLIGHT

SXIMFL22-30W65K



High-performance LED work light designed for durability and efficiency. Built with an aluminum housing and tempered glass cover, it delivers powerful and uniform illumination for demanding indoor and outdoor applications.

FEATURES

- Powerful illumination for professional use
- IP65 protection against dust and water
- High uniform lighting output
- Durable aluminum body construction
- Ideal for indoor & outdoor applications

APPLICATIONS

- Construction Sites
- Workshops & Garages
- Industrial Maintenance
- Storage & Warehouse Operations
- Outdoor Projects



IP65



SPECIFICATIONS

Model	Power	Light Tone	Luminous Flux	Dimensions (LxWxH)	Use
SXIMFL22-30W65K	30W	6500K	3000 Lm	196x165x245mm	Indoor / Outdoor

OPTICAL DATA

CCT Switchable	No
Type of Distribution	Direct, Symmetrical
Light Source	SMD
Reflector	Blister

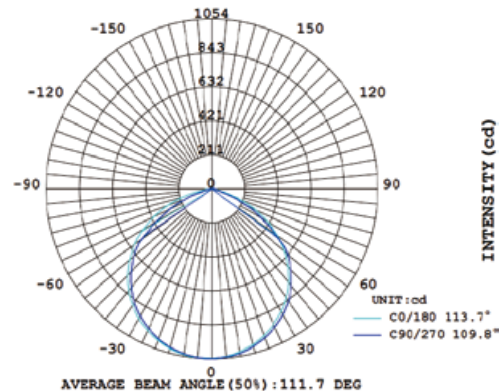
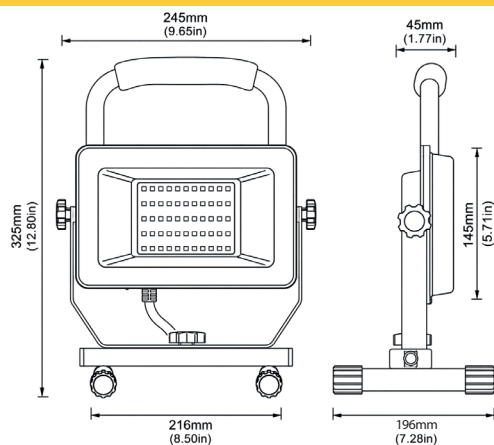
PHYSICAL DATA

Finish	Black & Yellow
Protection Level - IP	IP65
Body Material	Aluminium
Optical Material	Glass
Cable Size	1.5m H05 3x1mm ² with US plug
Type of Installation	Portable

ELECTRICAL DATA

Operating Voltage	AC110-240V
Frequency	50-60 Hz
Dimmable	No

DIMENSIONS



THE MEASURE OF A PRO™