

STANLEY

LED FLOOD LIGHT

SXIMFL02-10WRGB/50WRGB



LED outdoor floodlight luminaire, slim, modern and moisture-resistant design, aluminum chassis, uniform light projection, reduces energy consumption and maintenance costs, installation surface-mounted with metal support. RGB color adjustment providing the color tone you

FEATURES

- Remote control included, RGB type.
- Energy efficiency
- No UV emissions
- Long Lifespan

APPLICATION

- Parks & Squares
- Facades
- Parking Lot
- Airport
- External Perimeter
- High Altitudes

Outdoor



SPECIFICATIONS

Model	Power	CCT	Dimensions (LxWxH)	Remote Control	Use
SXIMFL02-10WRGB	10 W	RGB	110x28x90mm	YES	Indoor / Outdoor
SXIMFL02-50WRGB	50 W	RGB	175x28x140mm	YES	Indoor / Outdoor

OPTICAL DATA

Color Temperature (CCT) RGB Color	
Vented	YES
Type of Distribution	Direct Symmetrical
Beam Angle	120°

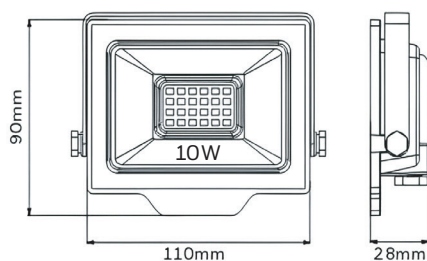
PHYSICAL DATA

Finish	Black
Protection Level - IP	IP65
Type of Installation	Wall or Ceiling Mount
Body Frame	Aluminium
Optical Material	Glass
Operation Temperature	-20°C to +40°C

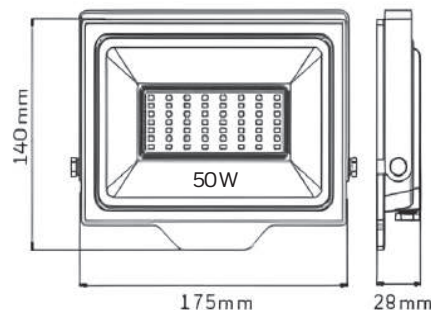
ELECTRICAL DATA

Operating Voltage	100-277 V
Frequency	50-60 Hz
CRI	80
Remote Control Included	YES
Dimmable	NO

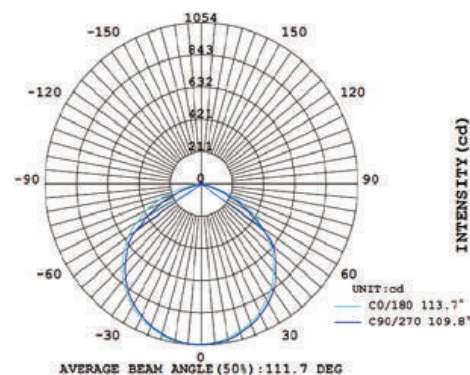
DIMENSIONS



CCT RGB



LUMINOUS INTENSITY DISTRIBUTION



THE MEASURE OF A PRO™