

# STANLEY

## LED WORKLIGHT

### SXIMFL26-20W65K



Compact and durable LED work light designed for reliable performance in demanding environments. Featuring high-efficiency illumination, rechargeable battery, and adjustable stand for versatile indoor and outdoor use. Built to deliver consistent brightness while reducing energy consumption.

#### FEATURES

- High-efficiency LED output: 2000lm / 1000lm
- Dimmable brightness: 50% – 100% – Off
- Fast charging via Type-C (5V 2A)
- Durable and compact design for indoor & outdoor use
- Adjustable stand for flexible light direction
- IP54 protection against dust and splashes



**IP54**



#### SPECIFICATIONS

Model	Power	Light Tone	Luminous Flux	Dimensions (LxWxH)	Use
SXIMFL26-20W65K	20W	6500K	2000 Lm / 1000 Lm	205x150x45mm	Indoor / Outdoor

#### OPTICAL DATA

CCT Switchable	YES
Type of Distribution	Direct Symmetrical
Charging Input	5V 2A Fast Charging
Charging Time	3 Hrs
Battery Capacity	3.7V 4400mAh

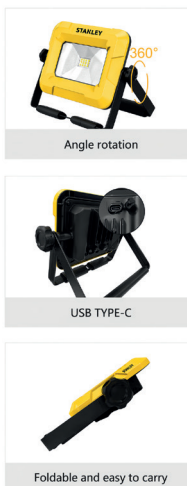
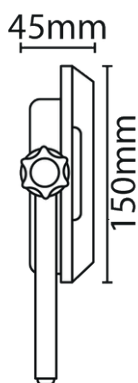
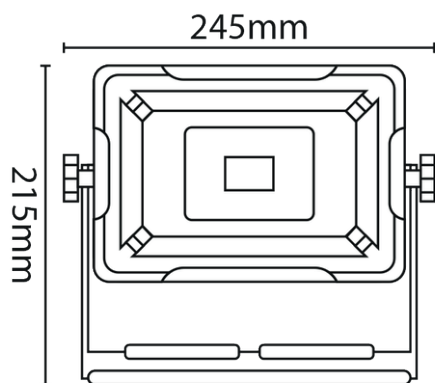
#### PHYSICAL DATA

Finish	Black & Yellow
Protection Level - IP	IP54
Body Material	Aluminium
Optical Material	Tempered Glass
Operation Temperature	-20°C to +40°C

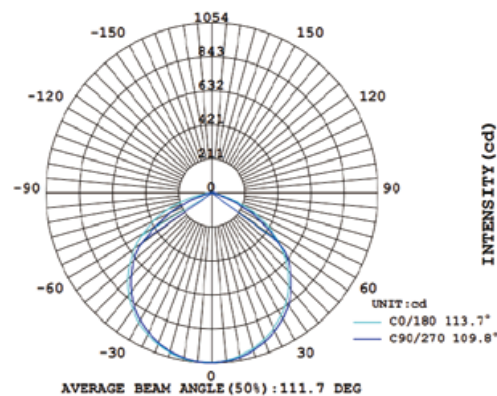
#### ELECTRICAL DATA

Operating Voltage	120-277 V
Frequency	50-60 Hz
Power Rating	>0.90
CRI	80
Dimmable	YES
Brightness Dimmable	50%-100%-Off

#### DIMENSIONS



#### LUMINOUS INTENSITY DISTRIBUTION



## THE MEASURE OF A PRO™