

LED UFO Highbay CCT & Power Select

SXIM-UFO-01-100PS-CCT



Power Selectable: 3-IN-ONE, 60W, 80W, 100W

3 CCT Selectable: 3000K, 4000K, 6000K

3 beam angles Selectable : 60°, 90°, 110° with zoomable optic design by simple rotation, Tool free Installation and Maintenance.

The ripple-like lens cover diffuses the dazzling light generated by individual LEDs.

FEATURES

- Built in high luminous efficiency LED Chip and Driver.
- Fast connection
- IP65
- Adjustable Beam Angle

APPLICATION

- Factory Workshop
- Warehouse
- Parking Lot
- Conference Room
- Storage Room
- Sports Field



CE IP65



Multi Beam Angle
Switchable



Multi Wattage
Switchable



Multi Color
Temperature
(CCT)

OPTICAL DATA

Color Temperature	3000k, 4000k, 6000k
Luminous Flux	10890, 13200, 16500 Lm
Beam Angle	60°, 90°, 110° Adjustable
Type of Distribution	Direct Symmetrical
Optical Material	Diffuser PC
Life Span	50 000 Hrs

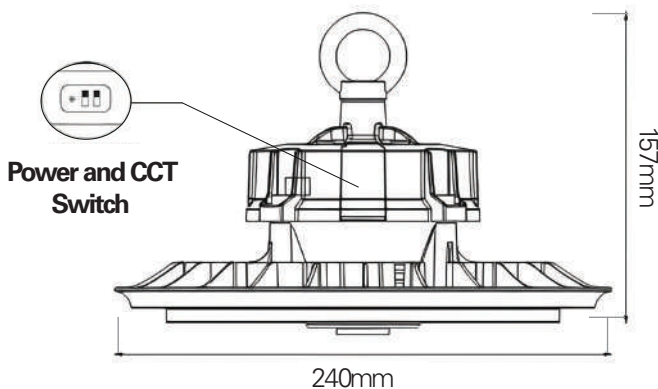
PHYSICAL DATA

Finish	Black
Protection Level - IP	IP65
Dimensions	240 X 157 mm
Type of Installation	Pendant, Ceiling, Wall
Body Frame	Aluminium
Weight	1.56kg
Operation Temperature	-30°C to +45°C

ELECTRICAL DATA

Input Power	60W, 80W, 100W
Power Switchable	YES
Operating Voltage	100-277V
Frequency	50-60 Hz
Power Factor	>0.9
CRI	80
Dimmable	NO

DIMENSIONS



ADDITIONAL INFORMATION

New heat dissipation system
to ensure long lifetime

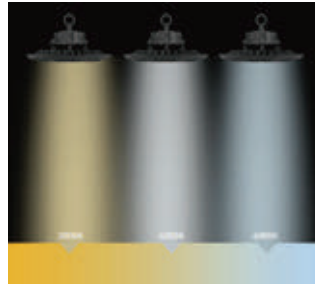


THE MEASURE OF A PRO™

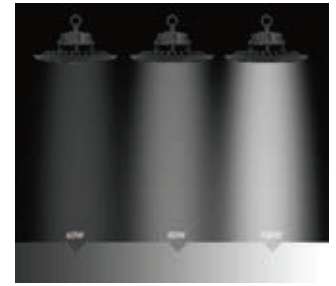
STANLEY

LED UFO HIGHBAY CCT & POWER SELECT

SXIM-UFO-01-100PS-CCT

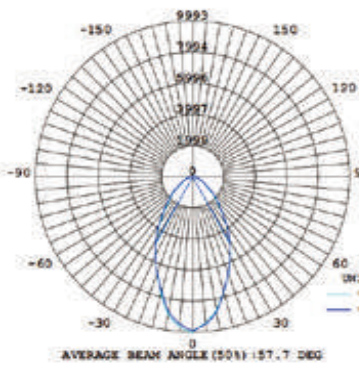


3CCT Selectable
3000K, 4000K, 6000K

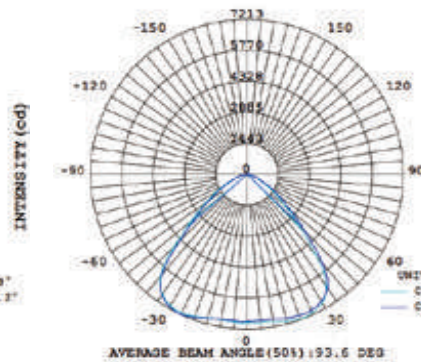


3 Power-in-1
60W/80W/100W
selectable

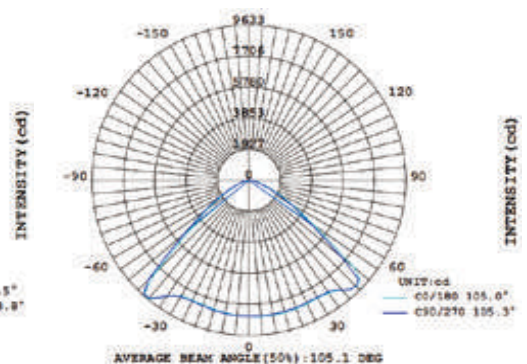
Rotate the lens to change
the beam Angle



60deg



90deg



110deg

THE MEASURE OF A PRO™