

STANLEY

LED FLOOD LIGHT

SXIMFL01-10W3K/6K



Outdoor

LED outdoor floodlight luminaire, slim, modern and moisture-resistant design, aluminum chassis, uniform light projection, reduces energy consumption and maintenance costs, installation surface-mounted with metal support. Includes a breather valve that dissipates moisture.

FEATURES

- Energy efficiency
- Long Lifespan
- No UV emissions
- High uniform lighting
- Anti Siphon Cable

APPLICATION

- Parks & Squares
- Facades
- Parking Lot
- Airport
- External Perimeter
- High Altitudes



IP65 LED



Indoor
Outdoor



Save Money



Easy
Installation

OPTICAL DATA

Color Temperature (CCT)	3000K or 6000K
CCT Switchable	NO
Luminous Flux	930 Lm
Type of Distribution	Direct Symmetrical
Beam Angle	120°
Efficiency	117 Lm / W

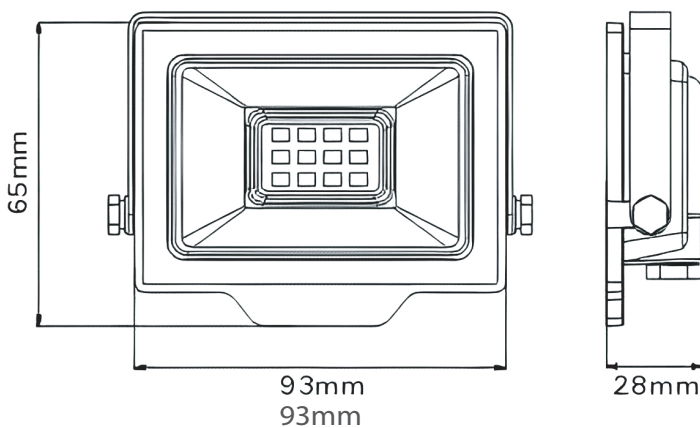
PHYSICAL DATA

Finish	Black
Protection Level - IP	IP65
Dimensions (LxWxH)	90x28x65mm
Type of Installation	Wall or Ceiling Mount
Body Frame	Aluminium
Optical Material	Glass
Operation Temperature	-20°C to +40°C

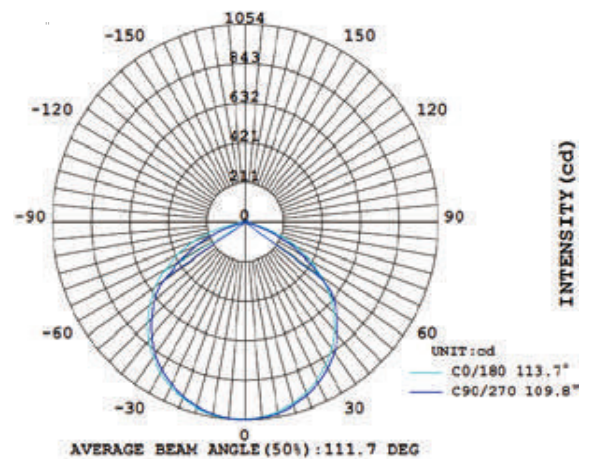
ELECTRICAL DATA

Input Power	10W
Operating Voltage	100-277 V
Frequency	50-60 Hz
Power Rating	>0.90
CRI	80
Dimmable	NO

DIMENSIONS



LUMINOUS INTENSITY DISTRIBUTION



THE MEASURE OF A PRO™